

PIVOTA®

DX Glass

Concealed hinge technology for glass doors

All load-bearing capacities

All finishes

Maintenance-free

3-dimensionally adjustable

Clean look with magnetic
covers (no visible screws)

Standard design approach
for wooden and glass doors



B|a|S|y|s
Bartels Systembeschläge GmbH

FITTINGS WITH IDEAS

Bartels Systembeschläge GmbH

Gewerbegebiet Echternhagen 2
32689 Kalletal

Tel.: +49 (0) 5264 6473-0

Fax: +49 (0) 5264 6473-30

vertrieb@basys.biz

www.basys.biz



PIVOTA®

DX Glass

Concealed hinge system for glass doors

Concealed door hinges are setting the trend. The fitting technology should be as invisible as possible and produce a neat look. This is all the more important when glass comes into play as a door material. BaSys has expanded its „**PIVOTA® DX Glass**“, developed for glass doors, to create a system. Together with the lock as well as lock retainer and handle, the hinge with hinge retainer forms a unit. The components are designed to match each other and fit flush with the frame and face.

With „**PIVOTA® DX Glass**“, BaSys is adapting the CE-certified and proven technology of its concealed hinges for use with hinged glass doors, with no ifs or buts. The frame part disappears into the frame and the wing part vanishes into a retainer clamped to the glass door.

The retainer surrounding the wing part of the hinge is coordinated with the frame size.

Made of solid aluminium, it provides many different options for finishing the surface to match its design to the decorative fitting and the lockable lock case

used in the particular property. Magnetic top covers on the back ensure a screw-free look.

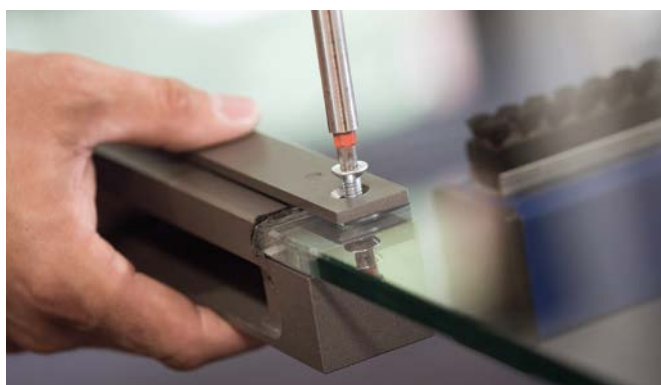
In developing the „**PIVOTA® DX**“ product range, BaSys has created a full line of concealed hinges. With load-bearing capacities of 40 to 350 kilograms per pair, it covers the entire door spectrum. Doors can be opened up to 180 degrees with the aid of the hinge, they are mounted on maintenance-free bearings and they are 3-dimensionally adjustable. The centrepiece of the hinge series is the patented design principle with a symmetrical four-knuckle joint that transmits the forces from the door wing evenly to the frame.

Different door load-bearing capacities can be catered for thanks to the material hybrids with identical cutout hinge dimensions. BaSys uses only steel, stainless steel and aluminium and, depending on the load-bearing capacity demanded, balances the use of these materials in hybrid technology: the greater the weight of the door, the higher the share of steel components used.

INSTALLATION

Easy and secure

1/ The specified recessed cutout in the glass door leaf is protected by a self-adhesive felt strip. This is glued on all round at the front.



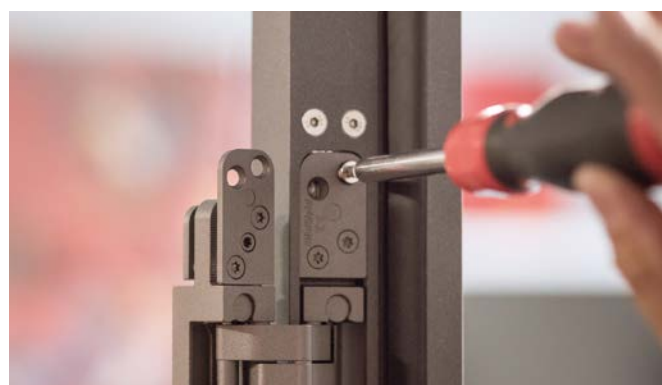
2/ The hinge retainer is fitted in the glass door leaf in which a recess has been prepared. The plastic spacers supplied are inserted between the door leaf and the metal components of the hinge retainer. They protect the glass and increase the clamping friction.



3/ The lock case is fitted in the prepared recess. Once again, the glass is protected by plastic spacers and felt strips.



4/ The frame, in this case an aluminium frame, is put in place and accurately aligned.

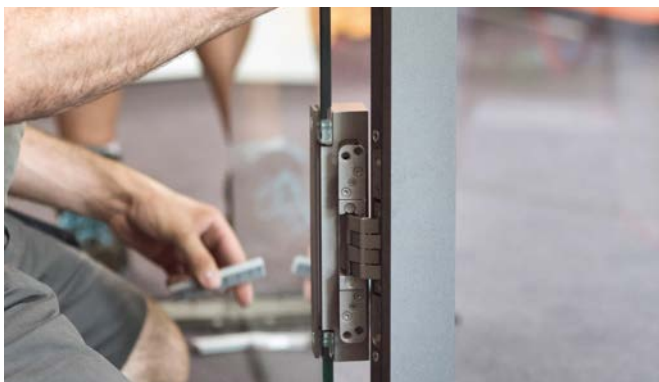


5/ The concealed hinges are inserted into the frame and screwed in.

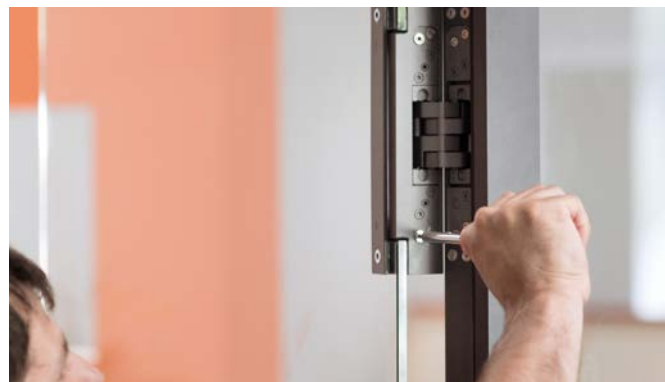


INSTALLATION

Easy and secure



6/ The prepared door leaf is hung.



7a/ The hinge is screwed to the hinge retainer. The door leaf is then adjusted in place in the hinge with the aid of the three-dimensional adjustment facility.




7b/ Magnetic design covers to match the finish ensure a neat, screw-free look and a harmonious overall appearance.



8/ The door handle and lock are fitted to the lock case.

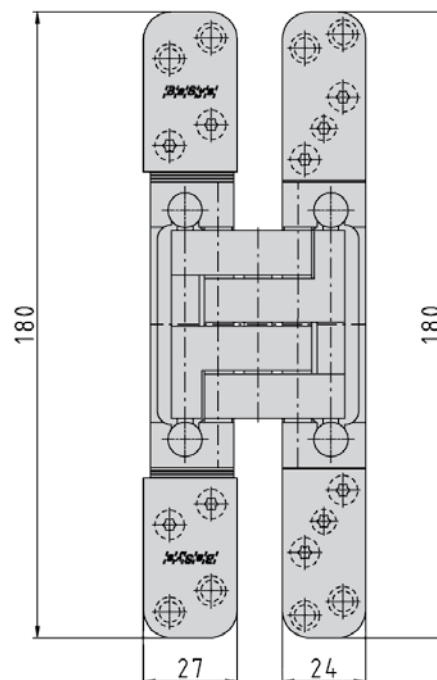
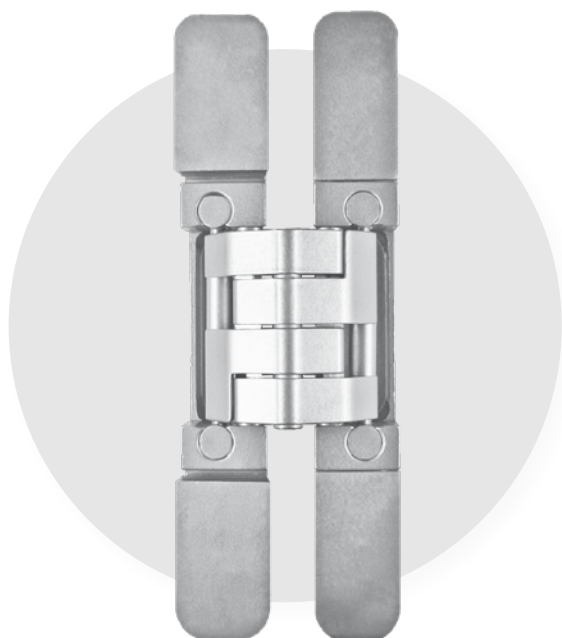
Photos: Patrick Hamacher, PH.OTOGRAPHIE, Würzburg
Video: glaskell.de

QR-Code with Link: 

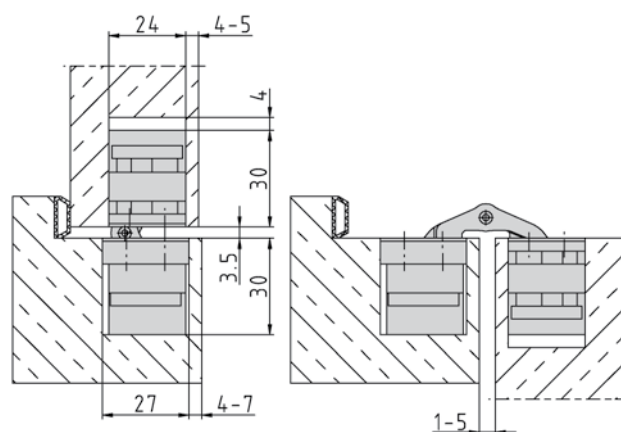
<https://youtu.be/OG5Z9wTEBtA>



PIVOTA® DX 60 3-D „Design“



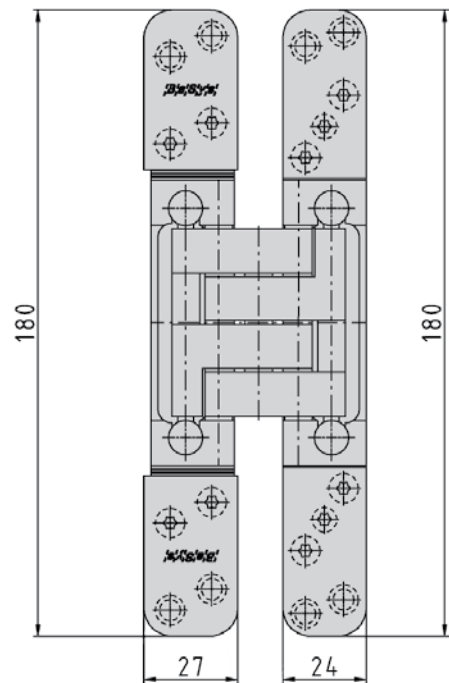
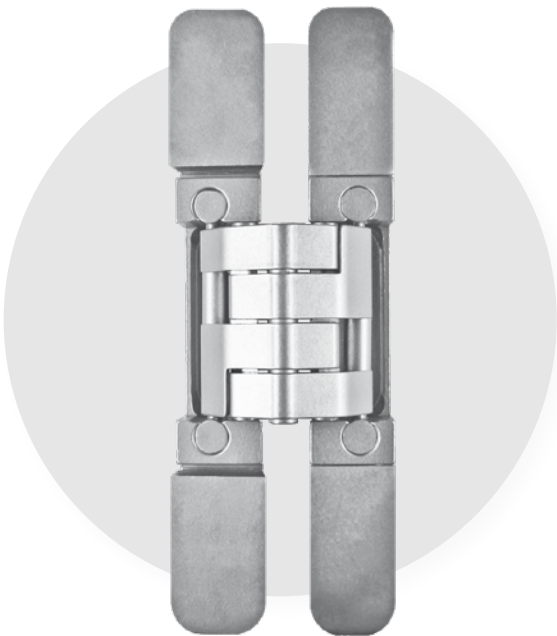
- Standard load:** Door weight 100 kg (per pair)
- Application:** Flush doors, when the door is closed the hinge is **invisible**; 3-dimensional adjustment, maintenance-free bearings; screw-free look thanks to magnetic top covers
- Accessories:** PIVOTA® DX safety plates for casing frames or steel frames; cutout template
- Note:** Includes fixing screws



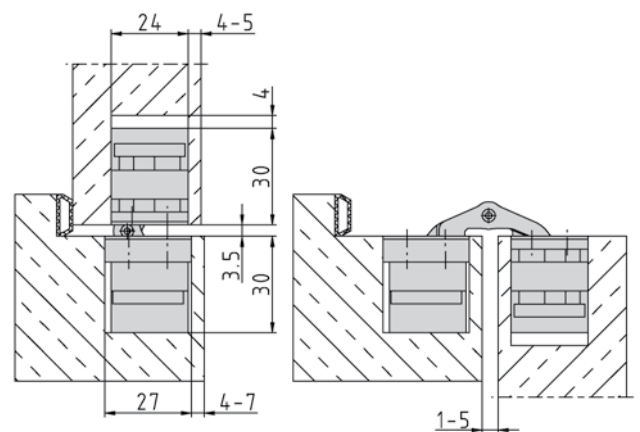


PIVOTA®

DX 100 3-D „Design“



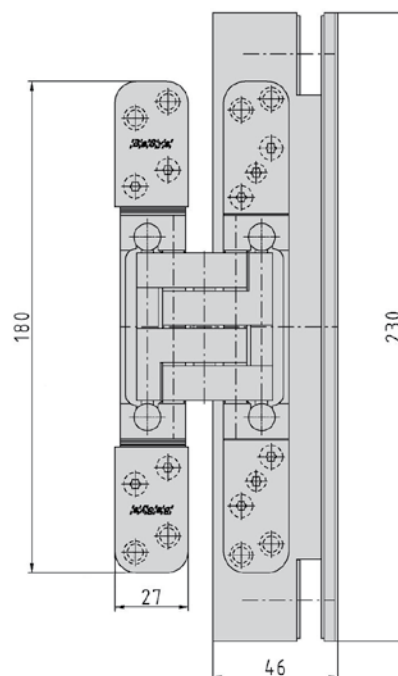
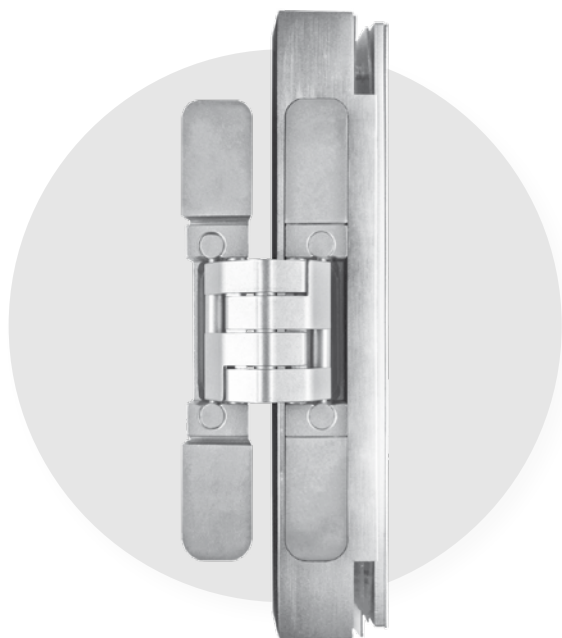
- Standard load:** Door weight 120 kg (per pair)
- Application:** Flush doors, when the door is closed the hinge is **invisible**; 3-dimensional adjustment, maintenance-free bearings; screw-free look thanks to magnetic top covers
- Accessories:** **PIVOTA® DX** safety plates for casing frames or steel frames; cutout template
- Note:** Includes fixing screws





PIVOTA®

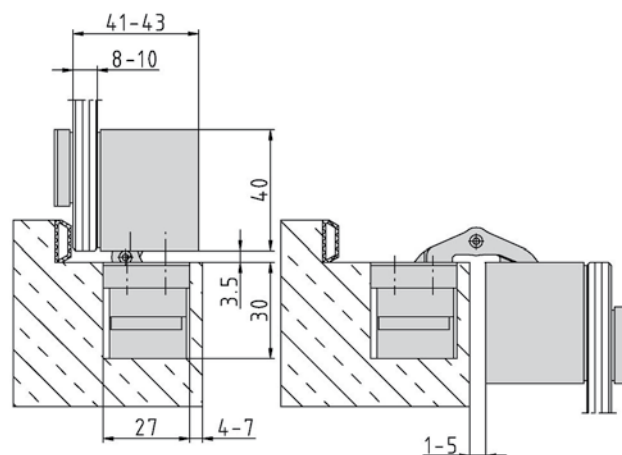
DX 60/100 3-D „Glass“ hinge retainer



Application: Glass doors, hinge retainer ensures secure attachment to door leaf; when the door is closed the hinge is **invisible**

Note: Includes fixing screws

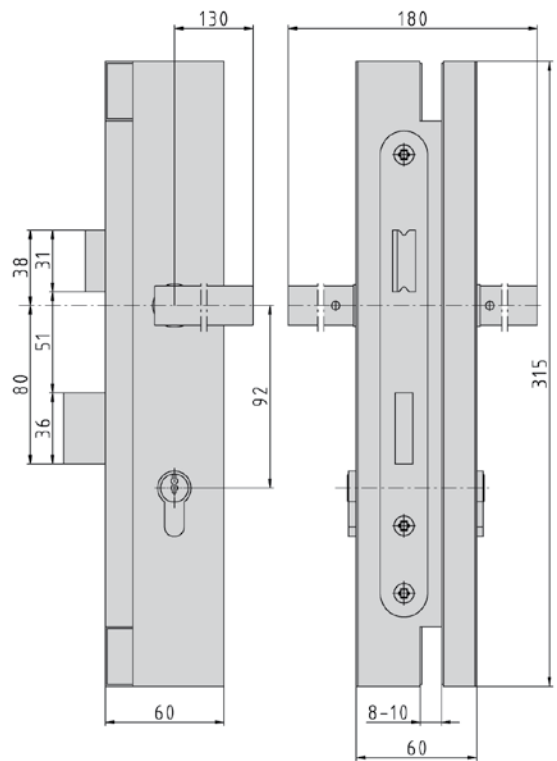
Combination: PIVOTA® DX 60 3-D
PIVOTA® DX 100 3-D
PIVOTA® DXS 100 3-D „Steel“
PIVOTA® DXE 100 3-D „Enox“





PIVOTA®

„Glass“ lock case assembly



Application: For glass doors in flush frames; suitable for 8-10 mm glass thickness (ESG)

Note: Includes fixing screws, mortise lock, profile cylinder and latch

Combination: *PIVOTA® DX 80 3-D „Glass“ hinge retainer*
PIVOTA® DX 60/100 3-D „Glass“ hinge retainer

