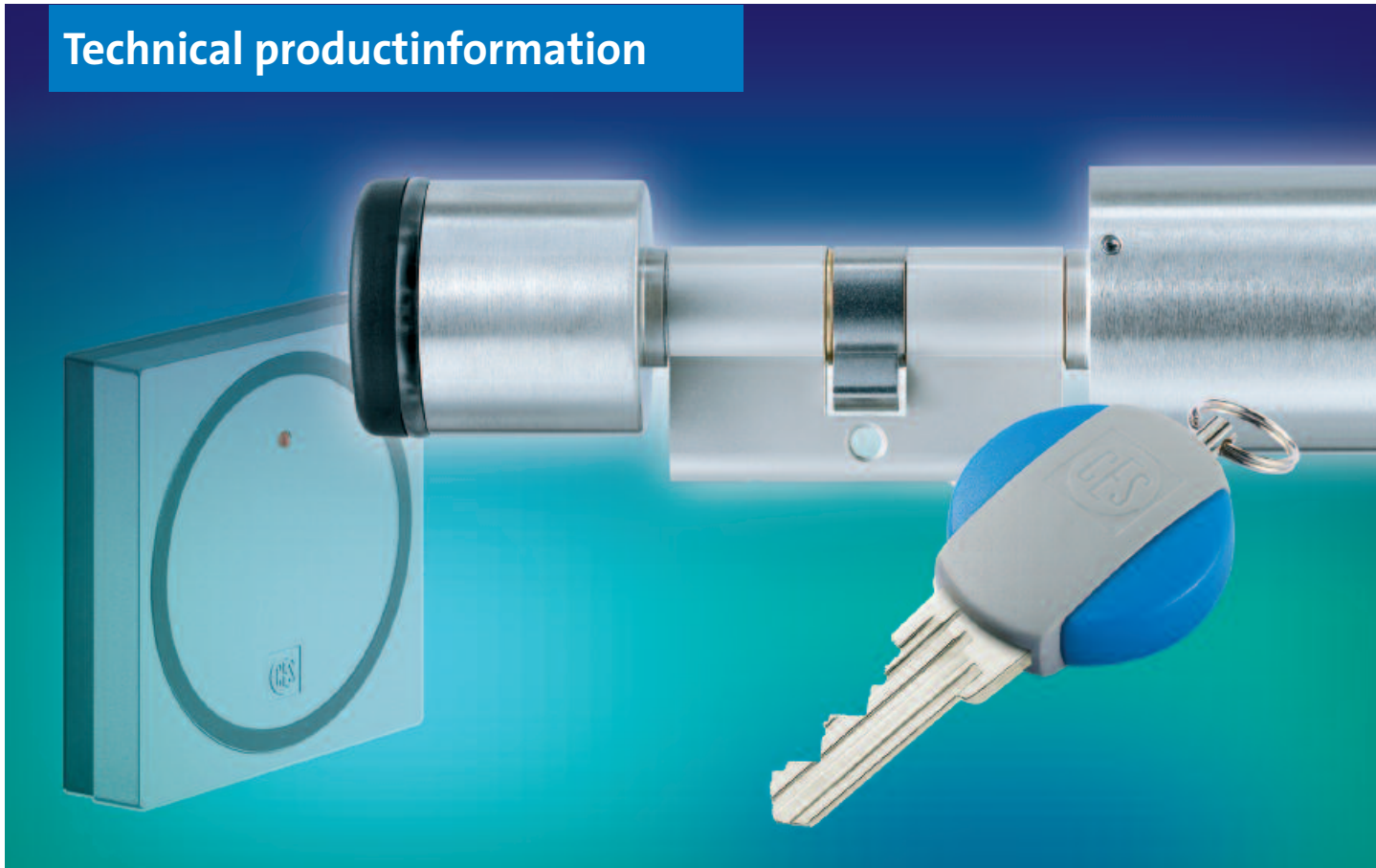


CES Electronic Security Systems

OMEGA LEGIC

Technical product information



Access control and locking engineering with multi-application capable transponder technology by LEGIC

Table of contents

Introduction	4
Electronic cylinders	5
- Double knob cylinder with reader on one side (815 DK/N, VdS class A, 815 DK/T, VdS class B)	
- Double knob cylinder, freely rotating on the inside (815 DK-F/N, 815 DK-F/T)	
- Double knob cylinder with reader on both sides (815 DK-II/T)	
- Single knob cylinder (815-L-1/2/T)	
Access terminals	8
- Wall terminal, compact design (WT-L-I/N, WT-L-I/T)	
- Wall terminal, discrete design (WT-L-II/N, WT-L-II/T)	
- Wall terminal, hose-proof	
- Wall terminal, Siedle Vario module	
Electronic fittings	12
- Door fitting, narrow (IES-S)	
- Door fitting, wide (IES-B)	
- IES ordering information	
Programming	16
- With master transponders	
- With programmer/software	
Locking media	18
- Transponder key	
- Key fob	
- Watch	
- Bracelet	
- Cards	

CES Electronic Security Systems

OMEGA LEGIC

OMEGA LEGIC is an electronic locking and organization system on the basis of proven locking cylinder engineering and state-of-the-art LEGIC transponder technology.

OMEGA LEGIC permits an easy integration of various security applications into a total security engineering solution, incorporating the locking system.

OMEGA LEGIC locking media such as keys, cards, or key fobs can be used for many existing time recording, access control and intruder-alarm applications without requiring a modification of the existing equipment.

Thanks to the easy programming, the administration of the system is very convenient. Organizational changes are implemented without requiring much effort, and lost keys or transponders can be immediately blocked.

LEGIC components are available in Time and No Time variants. With the No Time variant, authorized media can operate the lock at any time. With the Time variant, access authorizations can be granted for defined periods and each event is stored with date and time.

OMEGA LEGIC

Electronic cylinders



Electronic OMEGA LEGIC cylinders

Electronic locking cylinders for simple fitting in locks prepared for profile cylinders without requiring any modification of existing equipment. Maximum convenience and security without any wiring of the door. Transponder recognition without "waking-up" of the cylinder.

Features

- LEGIC transponder technology
- Contactless RFID activation through automatic recognition of the transponder media such as keys, cards or key fobs
- Memory for 2,400 transponder media
- Programming with Master transponders or with programmer and software
- LED light ring for optical signaling
- Beeper for status indication and feedback
- Integrated interface for emergency power supply

Variants

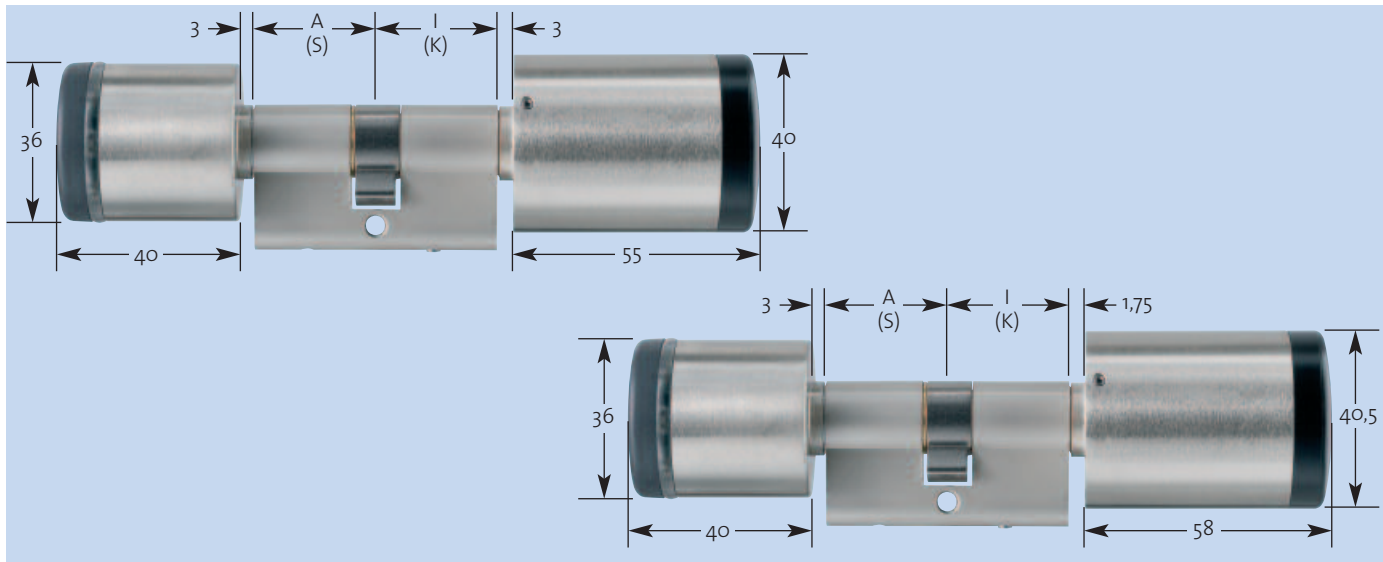
- No Time (N)
 - Any authorized medium locks (blocks) at any time
- Time (T)
 - Permanent authorizations
 - 29 time zones (7 time periods with 4 different time windows each plus 1 fixed time zone)
 - 32 special days (public holidays)
 - 4 holiday periods (from to)
 - Daylight saving time switchover
 - Memory for 1,000 events with date and time
 - Time-controlled automatic "Always open" function
 - Time-controlled / media-controlled "Office" function

Options

- Other finishes:
 - stainless steel color, brass polished;
 - special colors upon request

OMEGA LEGIC

Electronic cylinders



OMEGA LEGIC 815 DK

Compact double knob cylinder with reader on the outside and permanent cylinder operation from the inside.

Variants

- No time (815 DK/N), VdS class A
- Time (815 DK/T), VdS class B
(VdS = accredited certification institution of the German Insurance Association)



Scope of delivery

- Double knob cylinder in basic length of 27.5/27.5 mm
- Finish: brass satin nickel-plated
- Integrated CR 2 lithium cell for power supply

OMEGA LEGIC 815 DK-F

Compact double knob cylinder, freely rotating on the inside. Designed for use in entrance or separating doors that must not be locked from the inside.

Variants

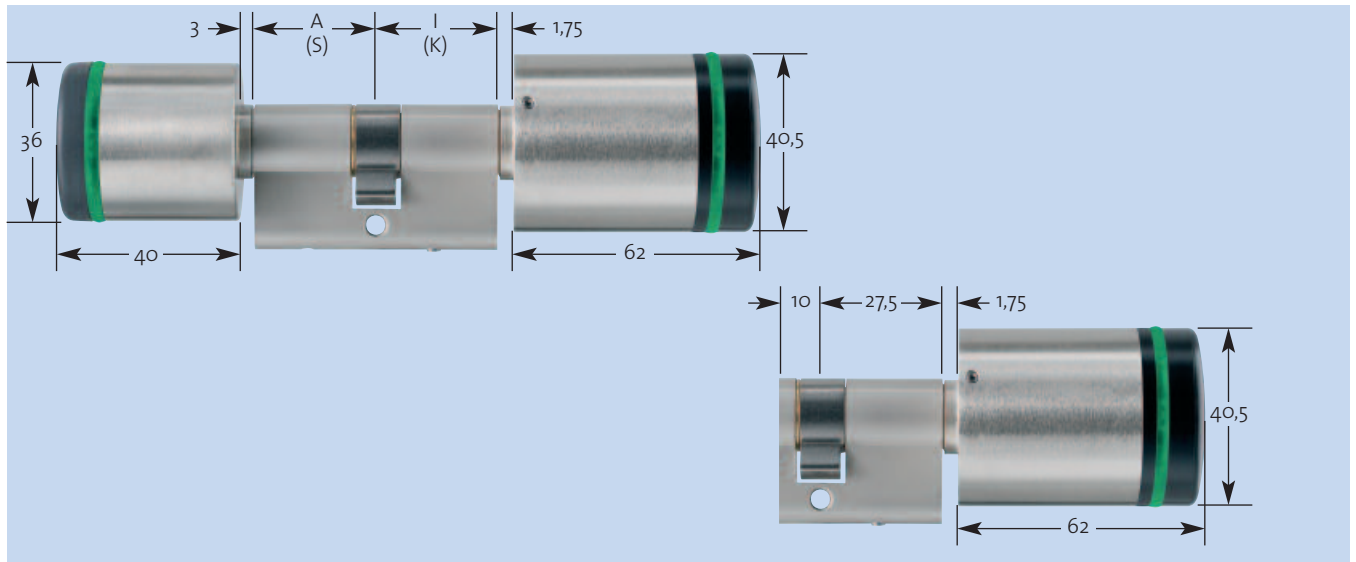
- No Time (815 DK-F/N)
- Time (815 DK-F/T)

Scope of delivery

- Double knob cylinder in basic length of 27.5/27.5 mm
- Finish: brass satin nickel-plated
- Integrated CR 2 lithium cell for power supply

OMEGA LEGIC

Electronic cylinders



OMEGA LEGIC 815 DK-II

Compact double knob cylinder with reader on the inside and on the outside. Designed for use in connecting doors and entrance doors to self-contained divisions within a building.

Variant

- Time (815 DK-II/T)

Scope of delivery

- Double knob cylinder in basic length of 27.5/27.5 mm
- Finish: brass satin nickel-plated
- Integrated CR 2 lithium cell for power supply

OMEGA LEGIC 815-L-1/2

Compact single knob cylinder for simple fitting in locks prepared for profile cylinders, cabinet locks, etc.

Variant

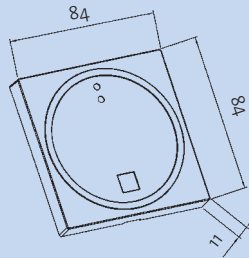
- Time (815-L-1/2/T)

Scope of delivery

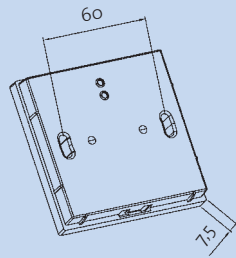
- Single knob cylinder in basic length of 27.5 mm
- Finish: brass satin nickel-plated
- Integrated CR 2 lithium cell for power supply

OMEGA LEGIC

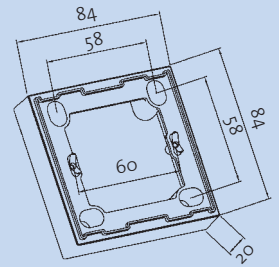
Access terminals



Wall terminal front cover:
Clip-on fastening on the terminal housing. In case of separate control unit (WT-L-II), no LED holes in the control unit cover.



Terminal housing:
For screw fastening on in-wall switch boxes or directly on the fitting frame.



Fitting frame:
For direct screw fastening on brickwork or other surfaces.

OMEGA LEGIC WT-L-I

Compact wall terminal with contactless RFID transponder technology for direct fitting on in-wall switch boxes.

Features

- LEGIC transponder technology
- Integrated 13.56 MHz reader
- Memory for 2,400 transponder media
- Programming with master transponder or with programmer and software
- 1 LED and beeper for status indication and feedback
- Reading range up to 10 cm, depending on transponder medium
- Zero-potential switching output for enabling actuators (pulse or change-over contact)
- Switching time adjustable between 0.5...80 s
- Operating voltage 12...24 V AC/DC

Variants

- No Time (WT-L-I/N)
 - Any authorized medium locks (blocks) at any time
- Time (WT-L-I/T)
 - Permanent authorizations
 - 29 time zones (7 time periods with 4 different time windows each plus 1 fixed time zone)
 - 32 special days (public holidays)
 - 4 holiday periods (from to)
 - Daylight saving time switchover
 - Memory for 1,000 events with date and time
 - Time-controlled automatic "Always open" function
 - Time-controlled / media-controlled "Office" function

Scope of delivery

- Compact wall terminal
- Color: silver-charcoal
- Fitting frame for fitting without in-wall switch box

Options

- Other colors:
 - pure white, grey, charcoal;
 - special colors upon request

OMEGA LEGIC

Access terminals



OMEGA LEGIC WT-L-II

Wall terminal for high-security applications, discrete design – reader outside, evaluation unit within the secure area.

Features and variants

as WT-L-I but with separate units for reader and control

Scope of delivery

- Reader
- Color: silver-charcoal
- Fitting frame for fitting without in-wall switch box
- Control unit for fitting on top hat rail

Options

- Other colors:
pure white, grey, charcoal;
special colors upon request

OMEGA LEGIC

Access terminals



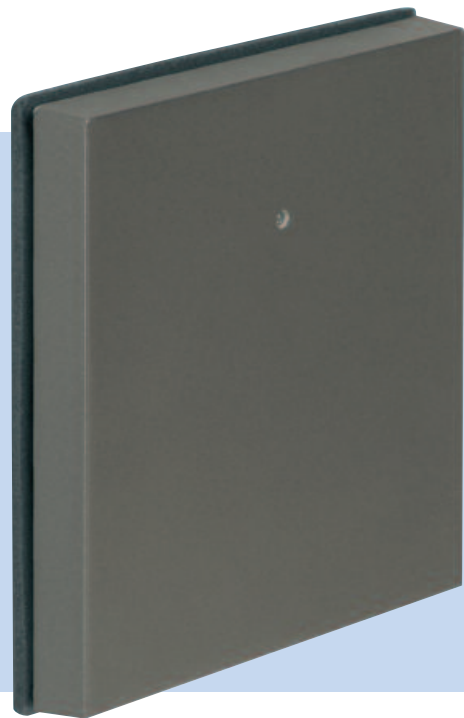
OMEGA LEGIC wall terminal IP55
Hose-proof wall terminal for outside installation.

Features and variants

as WT-L-I and WT-L-II in the Time and No Time variants, fitted into an IP55-rated case (offering protection against water jets).

Forms of delivery

- WT-L-I: for surface mounting and flush mounting
- WT-L-II: reader for surface mounting and flush mounting; control unit designed for fitting on top hat rail (standard rail) within the secure area
- Color: white



OMEGA LEGIC wall terminal as Siedle Vario module

Features and variants

as WT-L-I and WT-L-II in the Time and No Time variants, inserted into a Siedle Vario dummy module of the 6 series (BM 611-o...). Designed for use in door stations and mailbox installations in surface mounting, flush mounting and free standing versions.

Forms of delivery

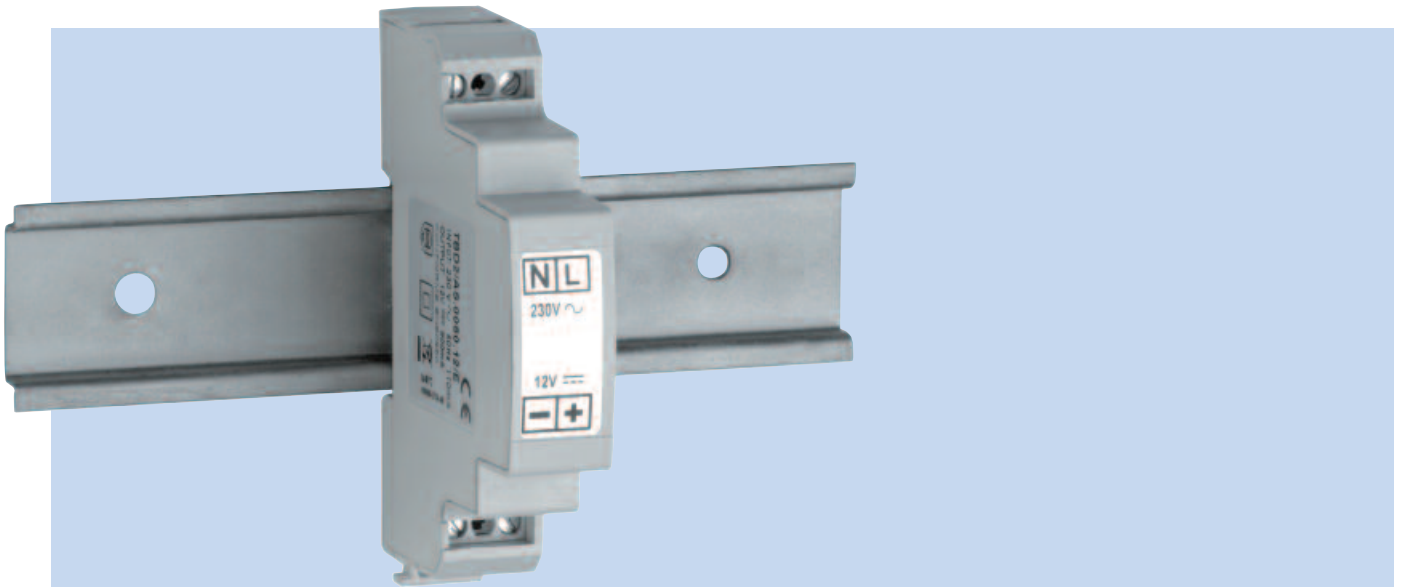
- WT-L-I: fully fitted in Vario dummy module
- WT-L-II: reader in Vario dummy module; control unit designed for fitting on top hat rail (standard rail) within the secure area

Options

- Siedle colors:
white W, titanium metallic TM, silver metallic SM, graphite-brown metallic GM

OMEGA LEGIC

Access terminals and accessories



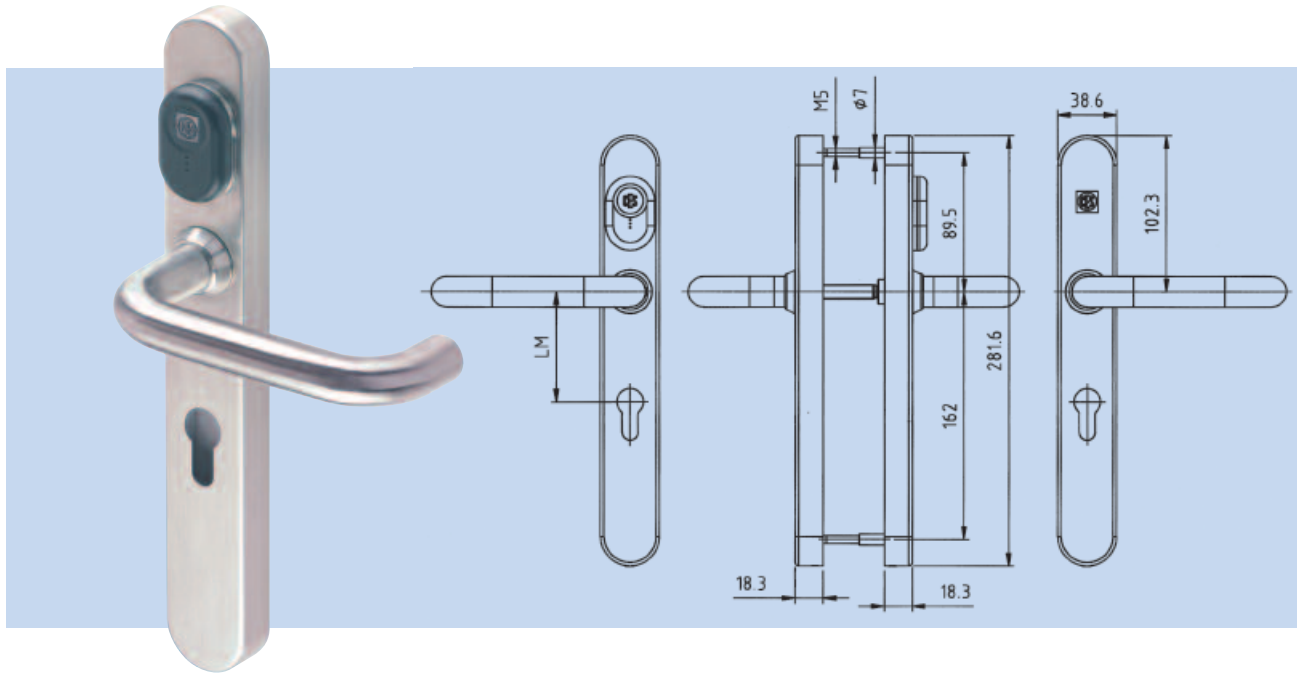
OMEGA LEGIC power supply for wall terminals

Power supply unit for fitting on top hat rail within the secure area

- Suitable for the connection of other consumers such as an electric door opener
- Primary 230 V/50Hz, 110 mA
- Secondary 12 V DC, 800 mA
- Color: light grey

OMEGA LEGIC

Intelligent electronic shield



OMEGA LEGIC IES

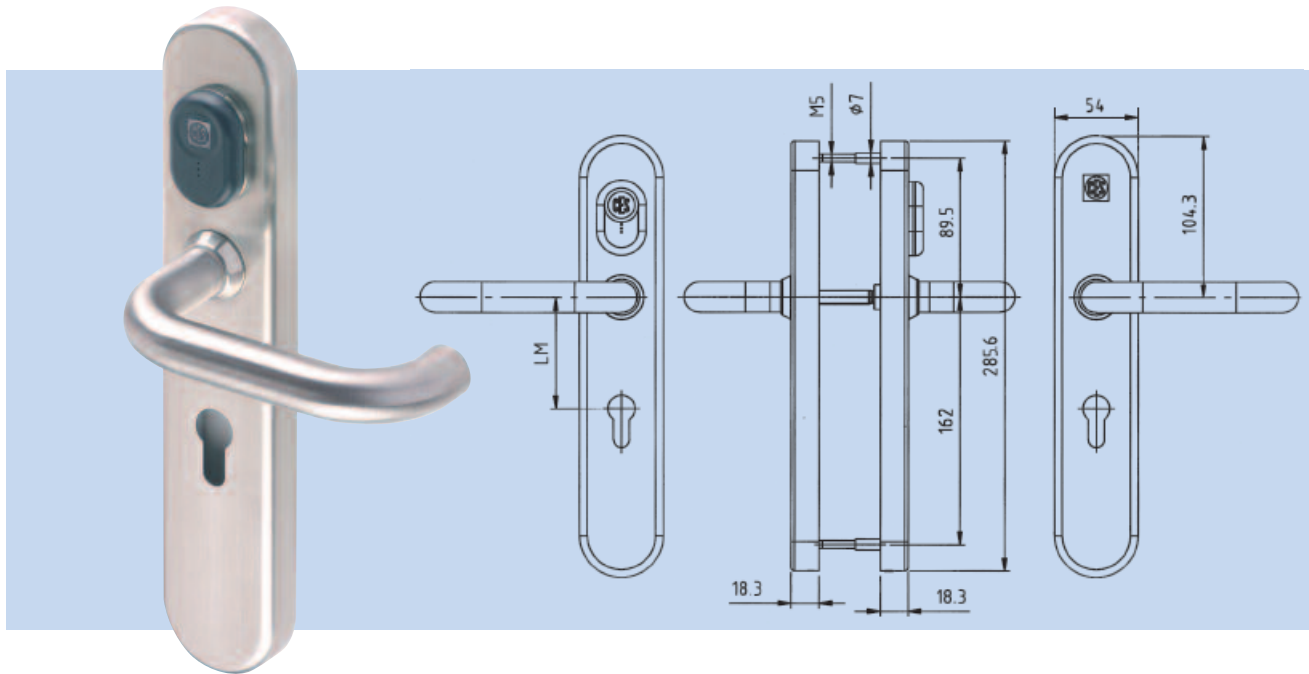
Electronic fitting for the simple conversion of existing mechanical door locks into a stand-alone access control system. No modification of the lock is required. Extremely simple operation with "auto wake-up" upon recognition of the LEGIC transponder medium and opening with the door handle. Mechanical emergency opening with locking cylinder possible. Available in two widths (38.5 and 54 mm) covering the widest range of requirements when equipping or retrofitting doors. The IES is suitable and certified for use in anti-panic locks pursuant to EN179.

Features IES-S

- Narrow door fitting (38.5 x 281.6 mm)
- Outside / inside stainless steel with H01 handle on both sides, handle bearing made of synthetic material, stainless steel case
- Door thickness 38 to 63 mm, prepared for profile cylinder on both sides, distance to center of hole (PZ) 72 mm, 8 mm square (spindle)
- Integrated 13,56 MHz reader for LEGIC transponders in the outside shield
- Contactless RFID activation through automatic recognition of transponder media such as keys, cards or key fobs
- Integrated evaluation device with memory in the inside shield for
 - 2,400 transponder media with access rights
 - 29 time zones (7 time periods with 4 different time windows each plus 1 fixed time zone)
 - 32 special days (public holidays)
 - 4 separate holiday periods (from to)
 - Automatic daylight saving time switchover
 - Memory for 1,000 events with date and time
 - Time-controlled automatic "Always open" function
 - Time-controlled / media-controlled "Office" function

OMEGA LEGIC

Intelligent electronic shield



- Simple programming with programming transponders (Masters)
 - Up to 200 Masters per device for the convenient structuring of locking authorizations
- Additional programming with hand-held programmer and software
- LED light ring for optical signaling (red/green)
- Beeper for status indication and feedback
- Coupling with electric motor
- Integrated interface for emergency power supply
- Including service batteries for insertion in the inside shield

Features IES-B

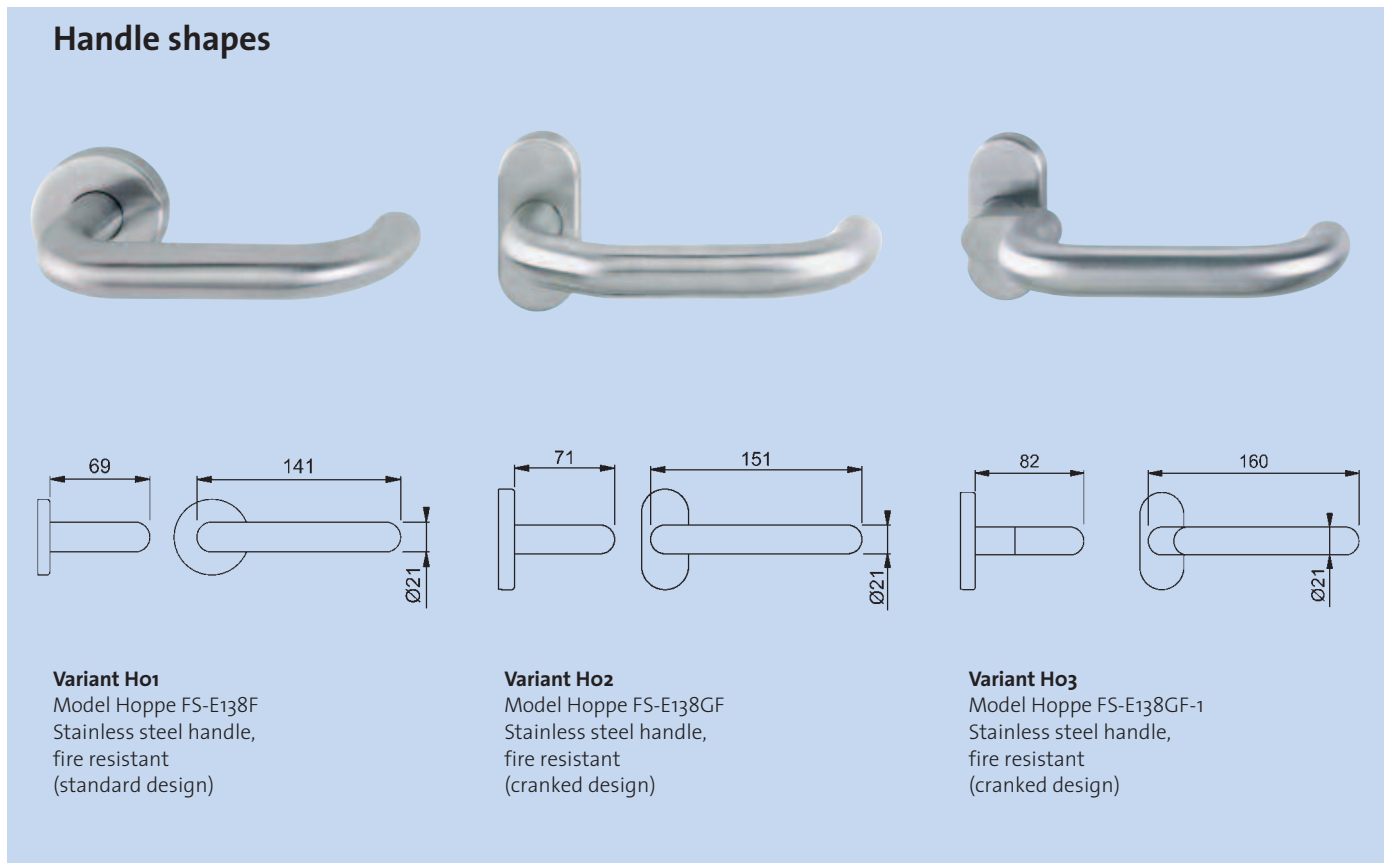
- Wide door fitting (54 x 285.6 mm)
- Other features as IES-S

Options

- Extension set for door thicknesses greater than 63 mm up to 100 mm
- Holes for profile cylinder
 - No holes
 - Profile cylinder (PZ) holes on one side or on both sides
 - Round cylinder (RZ) holes on one side or on both sides
- Distances (to center of the hole)
 - PZ/RZ 78
 - PZ/RZ 92
- Roller bearing (ST) for the handle instead of the synthetic bearing
- Plug-in IES programming adapter for adapting the RJ11 service cable of the 815 DK to the IES
- Lithium batteries (recommended if the IES is used on outside doors)

OMEGA LEGIC

Intelligent electronic shield



Required ordering information:	Version	Handle shape inside	Handle shape outside	Handle bearing	Door thickness	Distance (hole center distance)	Holes	Square (spindle)
	IES-S = narrow shield (standard) IES-B = wide shield	Ho1 = standard Ho2 = cranked Ho3 = cranked	Ho1 = standard Ho2 = cranked Ho3 = cranked	KST = synthetic (standard) ST = steel roller bearing	in mm without fittings	PZ 72 = 72 mm PZ 92 = 92 mm	PB = both sides PA = outside PI = inside oo = none	Dimension of square in mm

Example 1: IES-S Ho1 Ho1 KST 59 72 PB 8
(Standard design, without extra charge: OMEGA LEGIC IES in narrow version, stainless steel shields, U-shaped handles on the inside and the outside, handle bearing made of synthetic material, suitable for door thicknesses up to 63 mm, inside shield and outside shield provided with profile cylinder holes, 72 mm distance to hole center, spindle for 8 mm square)

Example 2: IES-B Ho3 Ho3 ST 66 92 oo 10
(OMEGA IES in wide version, stainless steel shields, cranked U-shaped handles on the inside and the outside, steel roller bearing of the handles, spindle extension package for door thicknesses up to 100 mm, no cylinder holes on either side, spindle for 9 mm square, use of reducing sleeves required)

OMEGA LEGIC

Intelligent electronic shield

Technical Data

Dimensions

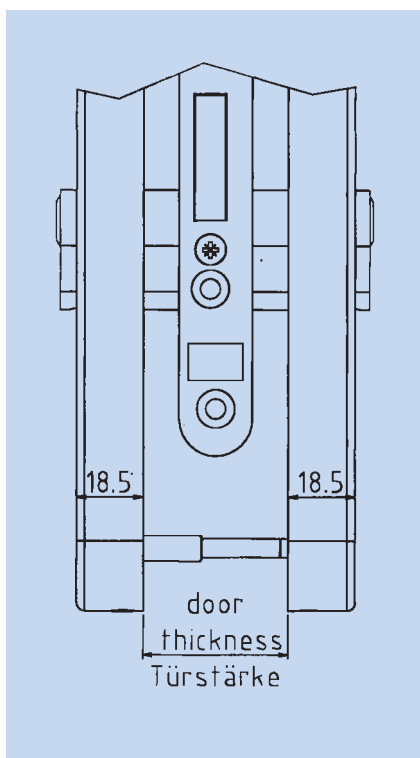
Narrow shield	L = 281.6 mm, B = 38,5 mm
Wide shield	L = 285,6 mm, B = 54.0 mm
Required backset	min. 25 mm with special handle, standard 35 mm
Shield material	stainless steel

Environmental conditions

Protection rating of outside shield	IP 54
Protection rating of inside shield	IP 40
Permissible temperature range of outside shield	-25°C ... +70°C
Permissible temperature range of inside shield	0°C ... +50°C
Air humidity	0 ... 95 % rH, not dewy; not suitable for use in corrosive atmosphere (chlorine, ammonia, etc.)

Service life

Fittings	> 200,000 cycles
Batteries 2x AA (Mignon) Alternatively 2x AA lithium for outside doors	typically 30,000 cycles
External 3V DC power supply possible	



Note:

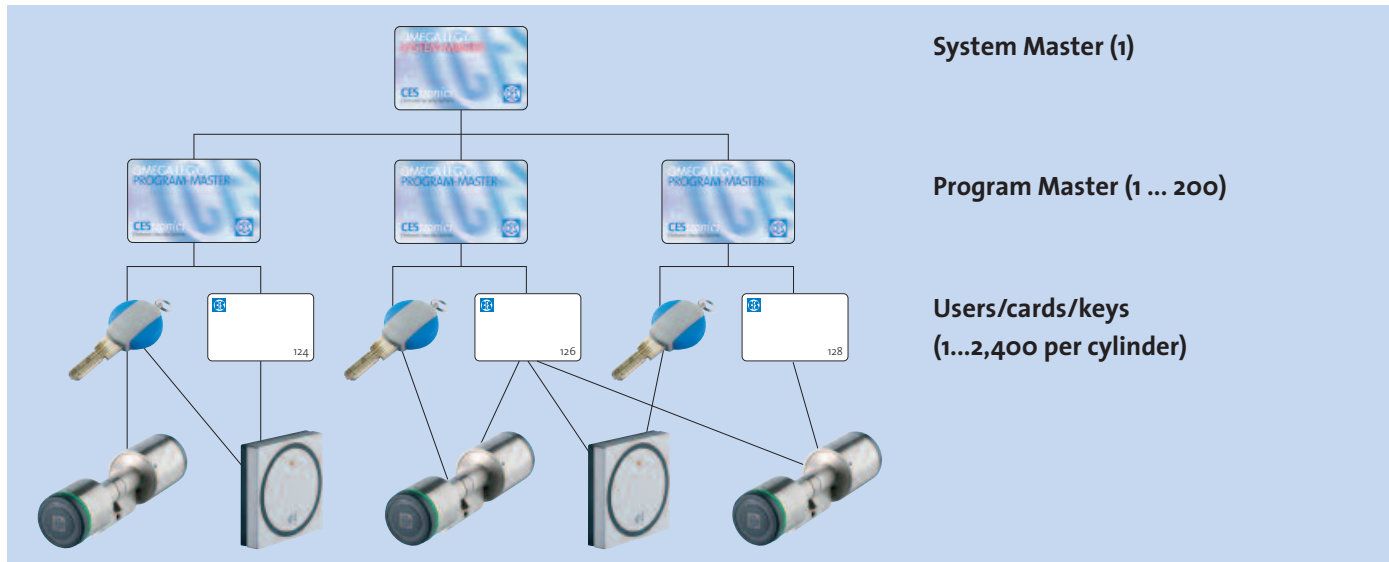
The IES is not suitable for locks with split hub.

Please consider when noting the dimensions:

For a safe fitting, the locking cylinder must project from the door leaf **at least 18,5 mm** on both the inside and the outside.

OMEGA LEGIC

Programming with Master transponders



Master structure

The Master structure used for the OMEGA LEGIC system makes programming simple and convenient. No sophisticated programming techniques are required.

System Master

The System Master is available in each system once. This is the medium used to authorize Program Masters in the system. It can be used for devices with Time (T) or No-Time (N) function.

Program Master

The Program Master is the actual programming medium. For any one device, up to 200 Program Masters can be authorized as programming media. Each Program Master can in turn program up to 2,400 locking media. This structure enables you to program user groups under their own Program Master in a simple way. So if a key is lost, you do not have to delete all of the user keys but only those that are administered under the respective Master.



OMEGA LEGIC

Programming with programmer and software



The screenshot shows a software interface for programming OMEGA LEGIC systems. It includes a menu on the left with options like 'Anlage', 'Zeitzone', 'Orte', 'Schlüssel', 'Schlüsselplan', 'Programmieren', and 'Personen'. The main area displays a grid for programming settings, including a list of keys (00001 to 00011) and their functions (GHS, Schlüssel). Below this is a table of devices with columns for 'Gerätename', 'Gebäude', and 'Etage', and a grid of 'X' marks indicating programming status.

Gerätename	Gebäude	Etage	00001	00002	00003	00004	00005	00006	00007	00008	00009	00010	00011
UG2028	2	2 UG	X	X	X	X	X	X	X	X	X	X	X
UG2035	2	2 UG	X	X	X	X	X	X	X	X	X	X	X
UG2036	2	2 UG	X	X	X	X	X	X	X	X	X	X	X
UG2037	2	2 UG	X	X	X	X	X	X	X	X	X	X	X
UG2041	3	2 UG	X	X	X	X	X	X	X	X	X	X	X
UG2042	3	2 UG	X	X	X	X	X	X	X	X	X	X	X
UG2043	3	2 UG	X	X	X	X	X	X	X	X	X	X	X
UG2044	3	2 UG	X	X	X	X	X	X	X	X	X	X	X
UG2050	3	2 UG	X	X	X	X	X	X	X	X	X	X	X
UG2051	3	2 UG	X	X	X	X	X	X	X	X	X	X	X
UG2052	3	2 UG	X	X	X	X	X	X	X	X	X	X	X

OMEGA LEGIC programmer

Programming your OMEGA LEGIC system is easy. Both the individual OMEGA LEGIC devices and the locking media can be programmed and/or read in with the programmer. The programmer serves as a handy data communicator between PC workstation and the cylinders and the wall terminals.

Features

- Low weight, small compact design
- Clear text LCD
- Simple user guidance with alphanumerical key pad
- Device-based programming adapter for simple data transmission to the devices
- Battery powered with 4 x AAA batteries

OMEGA LEGIC software

The software provides you with the user interface and the databases for the administration of OMEGA LEGIC locking systems. It allows you to easily prepare electronic locking plans, view and store events and communicate with the OMEGA LEGIC devices via the programmer.

Features

- Clear user interface
- Simple processing with menu-controlled user guidance
- Simple management with locking plans
- Suitable for client-server architectures
- Suitable for Citrix

System requirements

- Standard PC with Pentium CPU, 1GHz or higher
- CD-ROM drive
- 100 MB available hard disk memory
- 128 MB RAM recommended
- 1 free serial interface COMx,
- Operating system Windows XP

OMEGA LEGIC

Locking media



Our LEGIC locking media are available in different designs. They can be used for all *CEStronics* system components as well as for all third-party systems for time management, access control, catering, etc. that are based on the LEGIC transponder technology.

CEStronics transponder keys *CEStronics* key fobs

- 13,56 MHz LEGIC transponder, Prime/MIM 256
- Available for all mechanical CES locking systems
- Different key head colors
body: charcoal, silver-grey
cheeks: charcoal, silver-grey, blue, red, yellow, green
- Including identification with serial number
- Waterproof

SlimLine key fobs

- 13,56 MHz LEGIC transponder, Prime/MIM 256 (MIM 1,024 as an option)
- Drop shaped
- Waterproof
- Diameter approx. 33 mm
- Including identification with serial number



Transponder watch

- Sports watch in LAKS design
- 13,56 MHz LEGIC transponder, Prime/MIM 256
- Japanese movement
- Date function
- Mineral glass
- Fluorescent digits and hands

Bracelet Transponder

- Locking medium for identification in swimming pools and wet areas
- 13,56 MHz LEGIC transponder, Prime/MIM 256
- Waterproof

Identification card

- 13,56 MHz LEGIC transponder, Prime/MIM 256 (MIM 1,024 as an option)
- Neutral white
- Including identification with serial number

Customized identification card

- 13,56 MHz LEGIC transponder, Prime/MIM 256 or MIM 1,024
- Printed according to the customer's wishes

Options

- Additional HICO or LOCO magnetic stripe
- Additional features such as bar code, etc.
- Combination with different transponder systems

CEStronics

CEStronics GmbH, Friedrichstrasse 243, D-42551 Velbert · P.O. box 101180, D-42547 Velbert, Germany
Phone: +49-2051-204-286 · Fax: +49-2051-204-105 · info@ces-tronics.de www.ces-tronics.de

